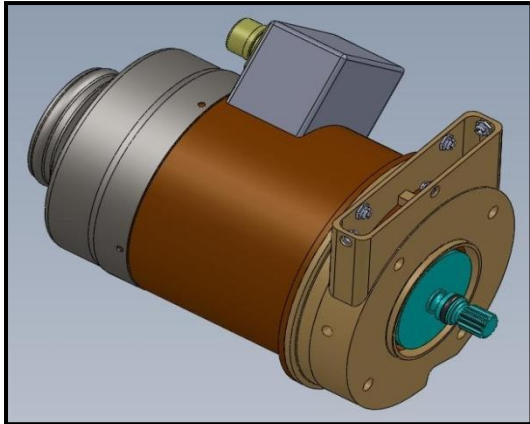




Brushless DC Starter Generators



Functional Description:

The SAI-APC Starter-Generator Line was designed for the starting of turbine engines and APU's. The starter-generator is used as an engine-driven source of DC power and is normally rated at 28-30 volts with a continuous load of 150-400 Amps over a speed range of 6,900 – 12,000.

The SAI brushless starter generator is a rugged design construction with improved durability and reliability over traditional brush starter generators. Reliability is improved through the elimination of brushes and the mechanical commutator as life limiting elements which improves the TBO.

Performance Specifications:

INPUTS:

Voltage (DC): 28-30V

OUTPUTS:

Output Power (HP): 3.8 to 12.5
Rated Power: 4.5 to 12 kW
Speed Range: 6,900 to 12,000 RPM
Continuous Load: 150 to 400A

FEATURES:

TBO of 1000 to 2000 Hours
High Performance Bearings
Superior Varnish